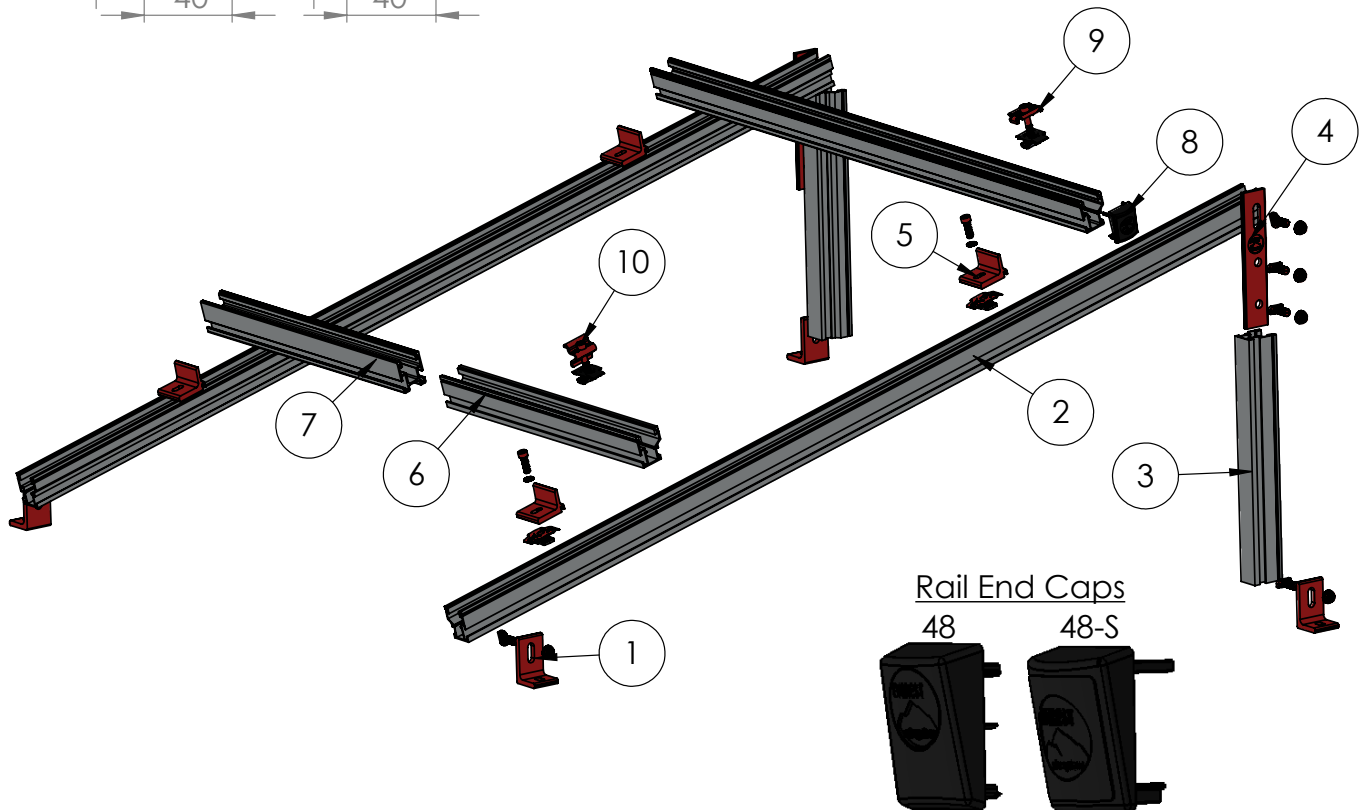
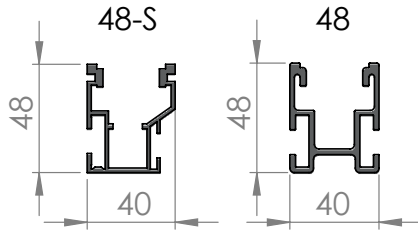


CrossRail Tilt Up

Technical Sheet

Mounting systems for solar technology



**All dimensions in mm unless otherwise specified

ITEM NO.	DESCRIPTION
1	L-Foot w/T-Bolt & Nut, CR48-S/48/80 Mill
2	CrossRail 48-S, Front Tilt Leg
3	CrossRail 48-S, Rear Tilt Leg
4	Tilt Up Connector Set, Mill
5	Climber Set CR 48-S/48/80, Hole
6	CrossRail 48-S, Mill, Dark Anodized
7	CrossRail 48, Mill, Dark Anodized
8	CrossRail 48-S End Cap
9	Mid Clamp UL 2703, SS, Set 30-50mm CR
10	End Clamp UL 2703, SS, Set 30-50mm CR